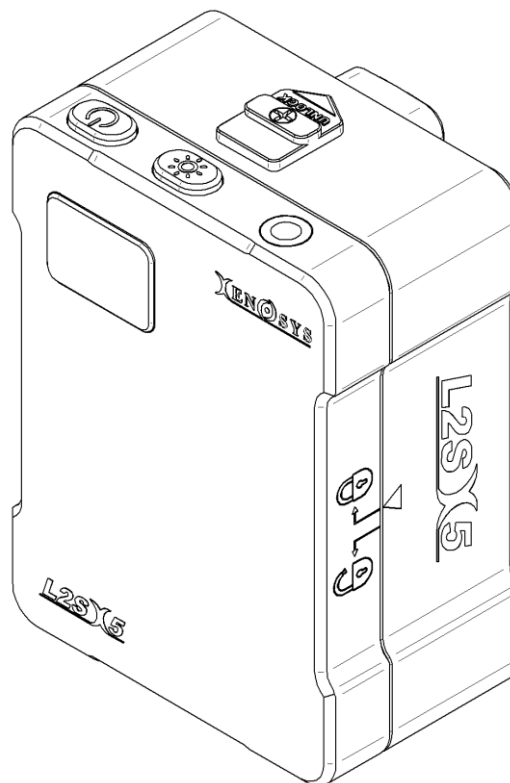


L2SX5

(Portable LED HeadLight System)

User Manual



Optical Device Medical Device System Engineering
XENOSYS CO., LTD.

2, Venture-ro, 100 beon-gil, Yeonsu-gu, Incheon 22013, Korea

TEL. 82-32-875-9811~2 FAX. 82-32-875-9813

www.xenosys.co.kr / sales@xenosis.co.kr

Table of Contents

Introduction	3
Safety & Precaution	4
Features	7
Components.....	9
Functions of Component	11
Operating Instruction	15
Basic Troubleshooting	21
Specifications	22
Electromagnetic Compatibility	26
Transportation.....	26
Storage	27
Cleaning Instruction	28
Services & Warranty.....	28

Introduction

Portable LED Headlight System: L2SX5 is the medical device with lithium-ion battery and LED light source which is suitable for flashing on to watch the wound or surgery spot. As a portable device, it does not need supplementary holder and fiber optic cable. By the help of co-axial & shadow-free illumination, L2SX5 provides you the excellent color rendering with consistent brightness. This product is the medical device and KFDA approval & registration is described like below table.

Registration No.	1909	Certificate No.	Gyeongin Jesin 07-86
Product Category I	(A) General Instruments	Class	Class 1
Product Category II	A03000 Medical Light and Lamps	Product Category III	A03030.01 Operating Headlamp
Product Model No.	L2SX5		
Manufacturer	Xenosys Co., Ltd.		
Country of Origin	Republic of Korea		

The external figure of product is like below pictures. Please refer to components on page 8 ~ 9.

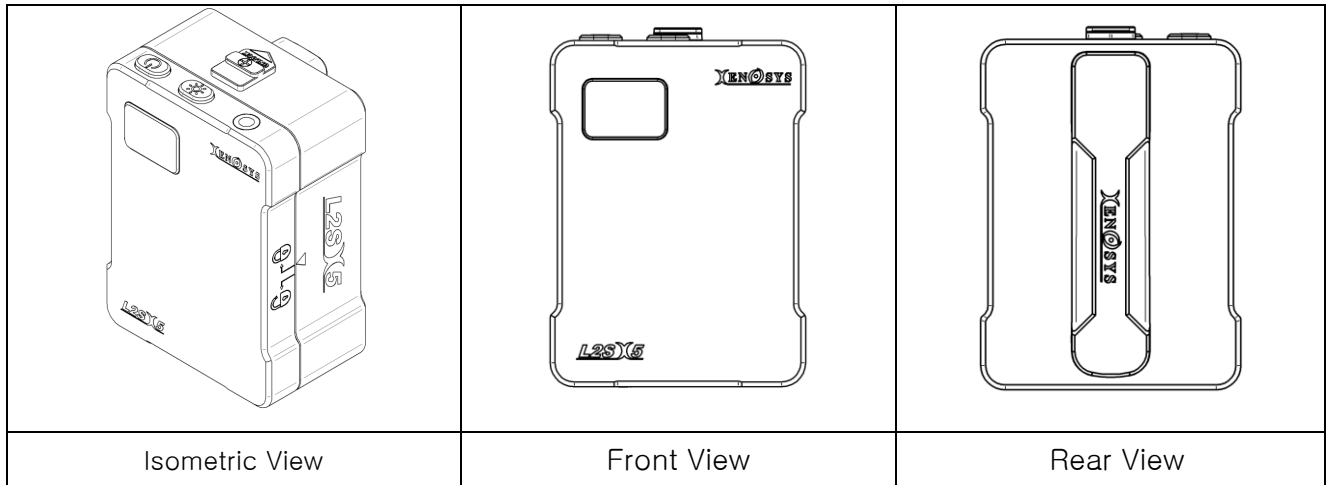


Table A describes features of L2SX5 and detail specifications are described from page 24 to 25.

Model	Power	Spectrum	Lamp Type
L2SX5	Portable Battery	Visible	LED

Table A: L2SX5(Portable LED Headlight System) Features

Safety & Precaution

Before the usage, you should read the manual & precautions carefully and use it properly. You should follow next procedures and warnings about the battery & other components to prevent any fire, injury, or damage to human body.

WARNING for Safety

1. Do not heat the product with microwave machine or oven.
2. Do not dispose the battery into a fire.
3. Do not make direct connection between '+' and '-' of the battery terminal (both edge of battery) simultaneously by the conductor (any metallic object, coin, or clip) which will cause the short-circuit to occur fire or injury to human body. Thus, the charged battery should be handled with care.
4. The product is NOT waterproof (Ordinary equipment, IPX0), so avoid the humidity and water.
5. Do not use in the presence of a flammable anesthetic mixture with air, oxygen, or nitrous oxide.

WARNING for Power Unit

1. Do not use any undesignated charger by Xenosys. If any damage or unexpected hazard happens by the usage of undesignated charger, the manufacturer is free from the responsibility.
2. In case of any oil spillage or liquid to inside of the product may cause fire or electric shock. Then turn off the power immediately and disconnect the power cord. Contact local reps.
3. Do not bend or twist the power cord excessively. It may cause fire or electric shock.
4. Do not touch the power cord with wet hand which may cause electric shock or equipment damage.
5. Do not use L2SX5 with connecting directly to the battery pack during the operation or medical practice which may cause the electrical shock or fire.

 **WARNING for Main Body**

1. Never disassemble or undertake modification of the equipment.
2. Do not put any metal or flammable object into the main body. It may cause fire or electric shock.
3. Any drop or hard shock may cause the potential damage to the equipment.
4. Do not use or store the equipment in the area where get the direct ray of light, humidity, dust or soot.
5. Clean up with a dry and soft cloth.
6. Do not use the detergent or chemical fluid to clean which may cause discoloration.
7. Avoid the reach of children or pets.
8. Maintain the following conditions for storing the product.

Environment for Operating & Storage	
Ambient Temperature	10°C ~ 40°C
Relative Humidity	30 %R.H. ~ 85 % R.H.
Pressure	860 hPa ~ 1060 hPa
Environment for Transportation & Storage (Non-operating)	
Ambient Temperature	-20°C ~ 40°C
Relative Humidity	0 % R.H. ~ 90 % R.H.
Pressure	860 hPa ~ 1060 hPa

 **WARNING for LED Lens Module**

1. Do not drop, crush, or put a high pressure on LED lens module.
2. Clean LED lens surface with dipped alcohol or methanol in dry cloth softly.
3. Do not bend or twist the connection cable between the main body and LED lens module which may cause the defective.
4. LED optic outside emits heat, so be careful on touching.
5. Do not look directly into LED lens module or some one's eyes to avoid the risk of permanent eye damage.



 **WARNING for Battery**

1. At the first installation, make sure to check the external figure of battery. If there is any spill, swollen, stink, or unusual found, then do not use the product and contact the dealer. If it's normal, then charge the battery fully and use it.
2. The battery is lithium-ion rechargeable one.
3. When transporting only battery, make sure to keep it in soft case. Do not make any conductor to connect the battery charging point.
4. The battery operating time may shorten using in the cold place (below -10°C) even fully charged one. In that case, warm up the battery within the pocket before using L2SX5. Do not heat up the battery with microwave or any heater.
5. Use only the charger which is provided by Xenosys.
6. Charger battery in the range of $+10^{\circ}\text{C} \sim +35^{\circ}\text{C}$. It may take longer to charger the battery out of this temperature range.
7. Provided battery can be charged and discharged about 300 times at room temperature. Lithium-ion battery is expendables, thus if the operating time is shortened after full charge, we recommend exchanging new battery.
8. Be careful on benzene, thinner, alcohol (volatile & flammable fluid) and water. If those chemicals penetrate the battery, it may cause the trouble in circuit and any accident.
9. If there is any swollen battery, spill, emit, or fire, stop using immediately and contact the distributor (dealer) or the manufacturer.
10. Never use any damaged battery and charger.
11. In case of the first installation or unused long time, then charge the battery fully before using.

 **WARNING for Charger**

1. Do not connect any metallic objects between the cradle connector and battery. This may cause the defective on the charger and charger cradle.

2. Use only the charger which is provided by Xenosys on the phone jack. This may cause the defective on the charger and DC power supply.



WARNING for Disposal




1. In case of careless disposal, it may pollute the environment, so make sure to separate collection.

Features

1. Operating Principle

L2SX5 adopts the way to deliver DC voltage from the battery to LED device through STEP-Down circuit and generate light speed through the lens. Even though battery voltage is reduced, L2SX5 allows LED to provide consistent brightness.

2. Electrical Rating

- 1) Battery pack: DC3.6V  6700mAh (Lithium Ion)
- 2) Charger: Input DC5V  2200mA / Output-DC4.2V  2000mA
- 3) Medical power supply: Input AC100-240V, 50-60Hz, 0.3A / Output DC5V, 2200mA

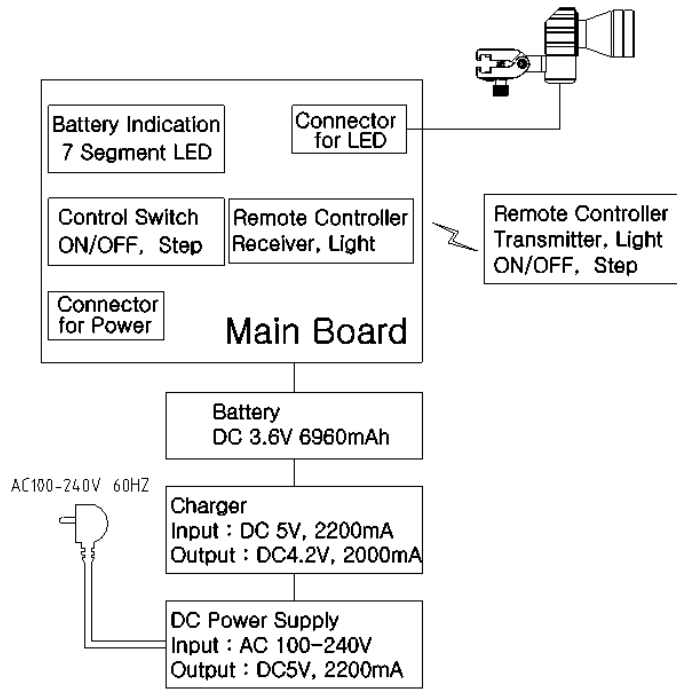
3. Protection Classification & Type against Electric Short

- 1) Protection Classification: ① Battery pack: Internal powered device
② Charger, Power supply: Class II device

2) Protection Type: N/A

4. Safety Circuit: L2SX5 contains the protection circuit for over current & overvoltage to keep the charging quantity.

5. Block Diagram: Refer to below figure



Components

1. Basic Component

① LED Control Unit (LCUX5)	② Battery pack (2 pcs, BTPX5)	③ Remote Controller (RCX5) (AAA batteries NOT included)
④ LED Lens Module (LLMX582)	⑤ Charger (LCHX5)	⑥ USB Power Cable (USBCL)
⑦ Medical Power Supply (FW80001MUSB05)	⑧ Pairing Pin	⑨ X5 EXCA Assembly (For use of LLMX582,74,66)

2. Optional Component (Separate purchase need)



⑩ Anti-curing Filter for dentist
(For LLMX574, LLMX582)



⑪ LED Lens Module (LLMX574)



⑫ LED Lens Module (LLMX566)



⑬ LED Lens Module (LLMX566D)



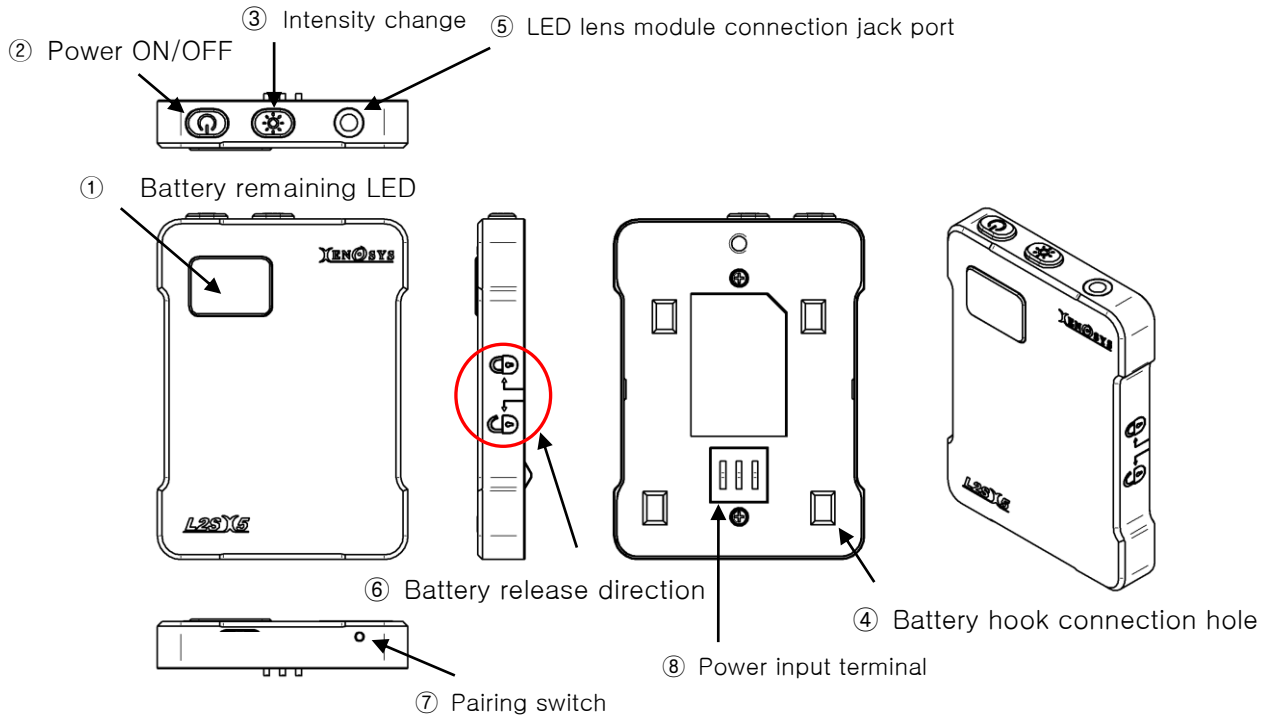
⑭ X5 EXCA-D Assembly
(LLMX566D only)

3. List of Components

No.	Components	Main function & Page	Qty.	Reference
①	LED Control Unit (LCUX5)	Refer to page 10	1	
②	Battery Pack (BTPX5)	Refer to page 11	2	Expendables
③	Remote Controller (RCX5)	Refer to page 11	1	
④	LED Lens Module (LLMX582)	Refer to page 12	1	
⑤	Charger (LCHX5)	Refer to page 13	1	
⑥	USB Power Cable (USBCL)		1	
⑦	Medical Power Supply (FW8000MUSB/05)	Refer to page 14	1	
⑧	Pairing Pin		1	
⑨	Anti curing filter	Anti curing filter for dentist (LLMX582 전용)	1	Separate Purchase
⑩	LED Lens Module (LLMX574)	Field of View: Ø74 mm @WD400mm	1	Optional
⑪	LED Lens Module (LLMX566)	Field of View: Ø66 mm @WD400mm	1	Optional
⑫	LED Lens Module (LLMX566D)	Field of View: Ø66 mm @WD400mm	1	Optional

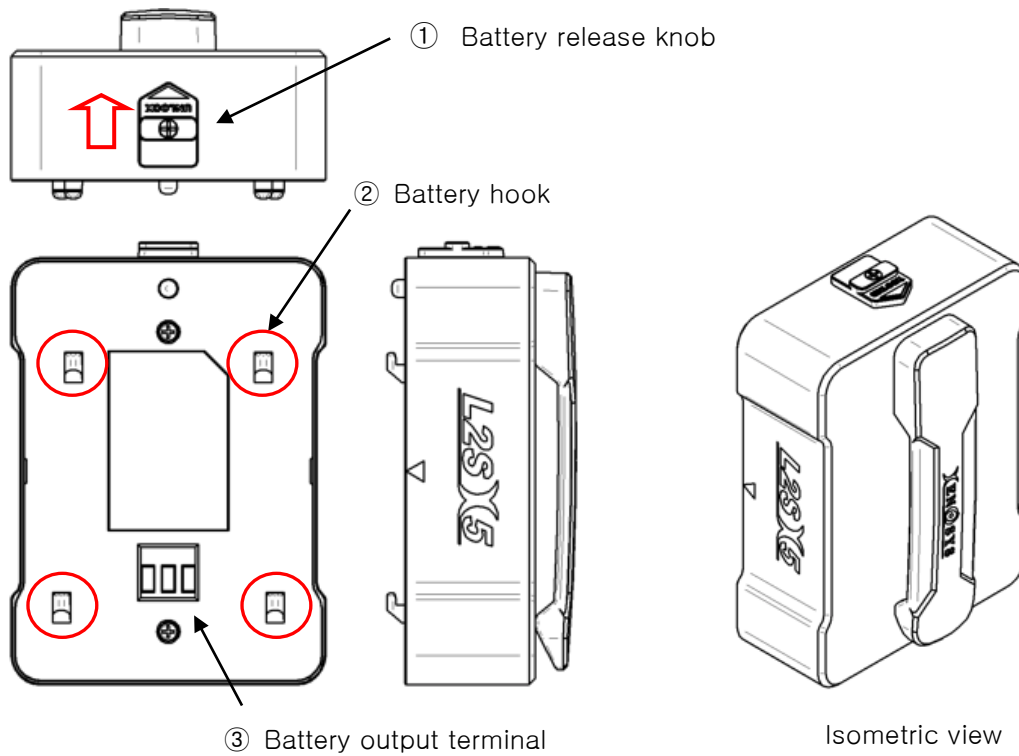
Functions of Component

1. Main Body (LED Control Unit, LCUX5)



- ① Battery remaining LED signal: Shows how much battery remains.
Example) Number from 0 to 99, FU (FULL)
- ② Power ON/OFF button: Press the button to turn ON/OFF of LED lens module.
- ③ Intensity change button: To change the intensity of light from 1 to 4.
- ④ Battery hook assembly part
- ⑤ LED lens module connecting jack: To connect LED lens module (LLMX582).
- ⑥ Battery pack release direction mark: To identify the direction of battery release from the main body.
- ⑦ Pairing switch: The switch to set up the pairing between the control unit and remote controller (Refer to page 13 for setting up the pairing)
- ⑧ Power input terminal: This is the part that connects to the power output terminal of the battery pack.

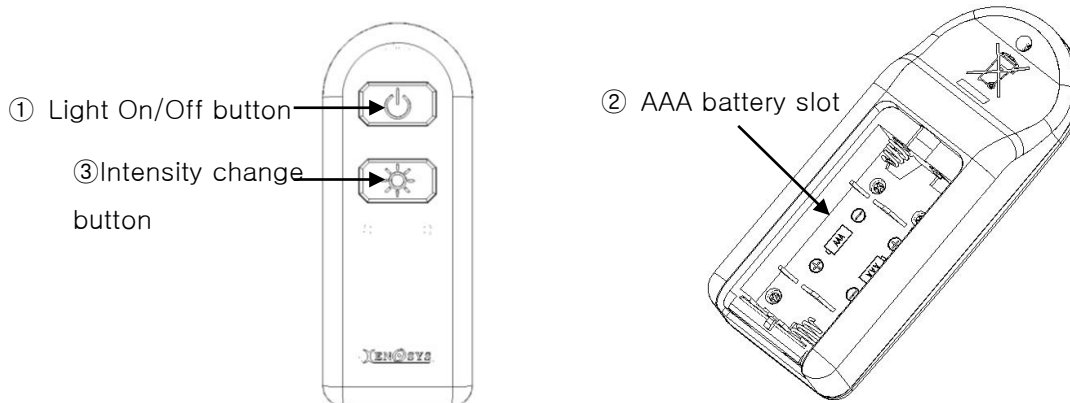
2. Battery Pack (BTPX5)



- ① Battery release knob: Push in the direction of the arrow to connect and separate the main body and battery.
- ② Battery hook: Part to connect with the main body (LCUX5).
- ③ Battery charging terminal: Connected to the terminal of main body.

⚠ Caution – Read the warning for battery from page 6 before usage.

3. Remote Controller (RCX5)

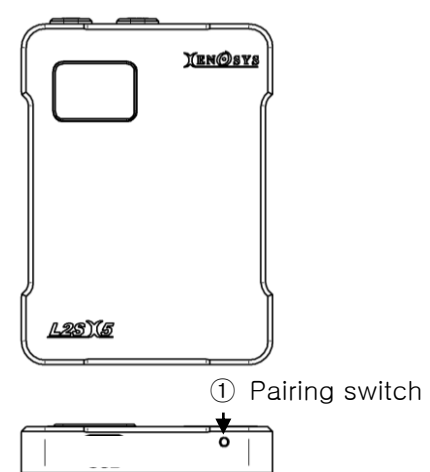


- ① Light On/Off button: Press the button to turn ON/OFF of LED lens.
- ② Battery Slot: 1.5V (2 EA), AAA size.

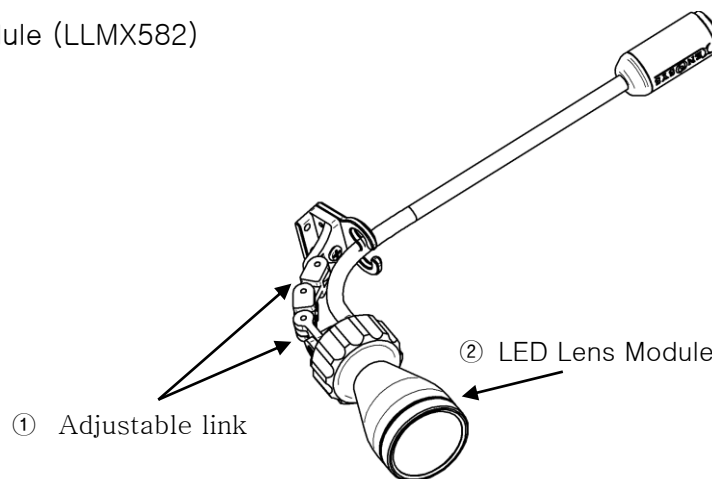
- ③ Intensity change button: Possible to change LED intensity from 1 to 4.

⚠ WARNING: To prevent the loss of battery power, the stand-by power of remote controller will be shut down after turn-off by the remote controller (RCX5). If you want to use remote controller again, turn on the button of the control unit (main body).

⚠ WARNING: Control unit and remote controller will be provided with pairing. To set up & release the pairing is as follows.

<p>How to set up the pairing</p> <ol style="list-style-type: none"> 1. Turn on the power of main body (LCUX5) 2. Push the pairing switch by using pairing pin for one second and release -> Blue light blinking 3. Push & release ON/OFF button of remote controller -> Blue light will linger and off 4. Pairing complete. 	 <p>Press pairing switch by using pairing pin</p>
<p>How to release the pairing</p> <ol style="list-style-type: none"> 1. Turn on the power of main body (LCUX5) 2. Push & hold the pairing switch more than 5 seconds -> Blue light blinking 3. Push & release ON/OFF button of remote controller -> Blue light will linger and off 4. Pairing release is done. <p>※ Unpaired main unit can operate with multiple remote controls.</p>	

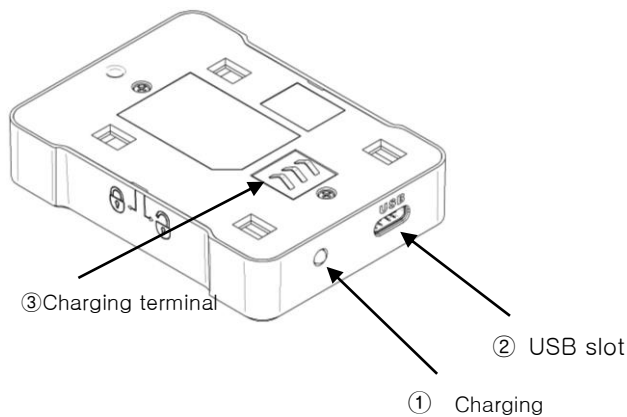
4. LED Lens Module (LLMX582)



- ① Adjustable link: LED Lens module can move up-down, and left-right side.
- ② 4 types of typical LED Lens Module available, and 1 dual type (Choose one).

Type	Field of View size	ETC
LLMX582	Ø82mm@WD400mm	
LLMX574	Ø74mm@WD400mm	
LLMX566	Ø66mm@WD400mm	
LLMX566D	Ø66mm@WD400mm	


5. Charger (LCHX5)



- ① Charging Status LED: Orange shows charging, green when fully charged.
- ② USB Slot: Connect the power supply to charge the battery.
- ③ Charging terminal: When the battery is connected and power is supplied to the charger connection jack, then charging begins.

WARNING


- Do not connect any metallic objects to the charging terminal except the battery.
 - Charging terminal is weak at external shock, so be careful on assembling the battery pack.
- If the charging terminal is broken, it is out of order.

 Warning – Do not use non-Xenosys supplied power supply. This will cause severe damage to the cradle & main body which is also excluded from the under warranty.

6. Medical Power Supply (FW8000MUSB/05)



① Input Voltage	100/240 VAC, 50/60 Hz, 0.3A
② Output Voltage	DC5V, 2.2A
③ Status LED	Green LED lighting means normal power supply.

 **Warning** – Do not use any other device randomly which may cause the defective reason. In case of using non-Xenosys-supplied charger with higher voltage (over 5V), it will cause the severe damage to main body. Please check if its Xenosys supplied charger and the serial number. If it's Xenosys supplied one, then stop using and contact the distributor (dealer) or the manufacturer. If not, make sure to use Xenosys DC5V medical power supply

Operating Instruction

A. Preparation before usage

1. Check Components

Components are listed on page 8~9. They can differ from the picture and replace or delete with new parts for better performance.

2. Charging battery & Assembling components

The newly provided battery is not completely charged, so charge them fully before the first-time usage.

- ① Connect power supply & charger to supply the power to charge.
- ② If the battery is fully charged, it will show 'green' light on charger LED.
- ③ Assemble the control unit & fully charged battery, then connect LED lens module wire to the circular connector of the control unit.


3. After removing the LED lens module protection cap, press the power switch to check the LED light and operate the light intensity control device (switch or knob) to check if the brightness of the light is adjusted.


 **WARNING** – On turn-on LED, do not look directly into LED lens module or some one's eyes

to avoid the risk of permanent eye & iris damage.

B. Operating Instructions


1. Finish the preparation and put the main body to waist belt or inside of pocket.
2. When using headband, connect LED lens module to headband attachment and adjust to your head. When using surgical telescope, connect LED lens module to glasses nose bridge part.
3. Use gown clips to fix the wire and remove the protection cap of LED lens module.
4. Turn on the button of control unit to start the light operating and change the position of lens module to your own needs.
5. Press the intensity change button either control unit or remote controller to match your own needs of light intensity.

 **WARNING** – On turn-on LED, do not look directly into LED lens module or some one's eyes to avoid the risk of permanent eye & iris damage.


 **Precautions** – Do not use the main body and power supply connected while performing medical treatment, as it may cause fire or electric shock.

C. Maintenance & Storage after use

1. If the usage is done, press the power ON/OFF button to turn off. Then store it to the case after cleaning dirt or bloods for further use.

 **Caution** – When no-use for long time, make sure to remove the battery from the main unit.

2. Store LED light in the place free from the air with pressure, temperature, humidity, wind, ray of light, dirt, salinity, and ion.
3. Store L2SX5 in the place free from the declination, shack, and shock.
4. Store L2SX5 in the place free from gas, smoke, and chemical fluid.
5. Clean up & wash for next time use.

 Caution – Clean the exterior by wiping with a soft cloth. In case of severe contamination, apply a little neutral detergent and wipe. However, be careful not to inflow moisture or electrolyte into the main body.

6. In case of malfunctioning, stop using immediately and contact the distributor.

7. Do not disassemble, repair, or modify the equipment by unauthorized personnel.

 Caution – Unauthorized disassemble, repair, or modification parts are OUT of warranty.

8. The way to maintain the battery lifespan longer is to exchange fully charged battery before “beep” sound and the battery alarm sign, and recharge the used battery.

9. Warning for storage of battery pack


As Li-ion battery is small-sized with high power, if it is stored fully charged condition for a long time, the battery lifespan can be reduced.

(1) Store it under half-charged condition in case of non-use immediately.

(2) Store the battery with separated from the main body in case of long-time no use.

(3) Recommend to keep it in the dry condition with ambient temperature range of 6°C ~ 40°C.

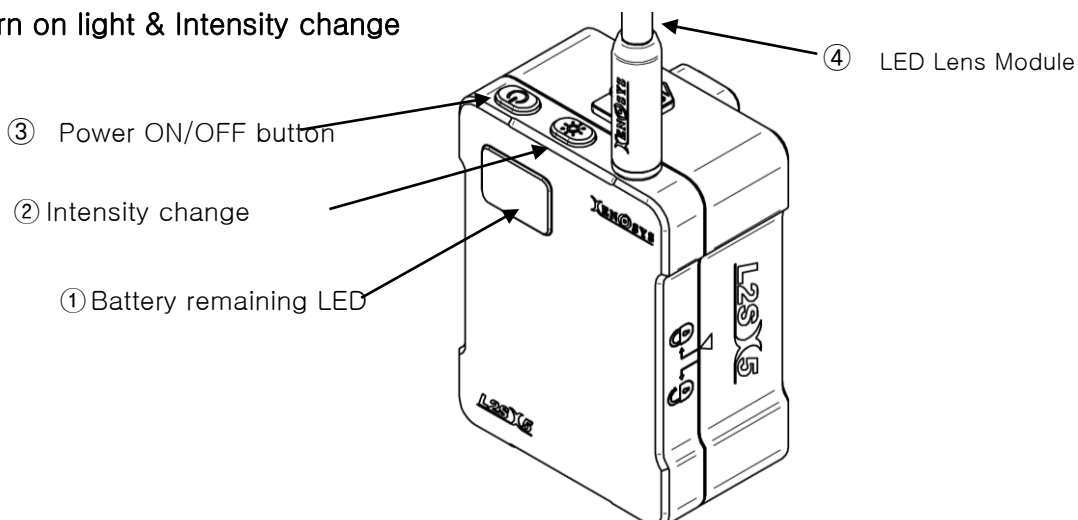
Keep away from too hot or extremely cold places.

 Precautions– Periodic charging and discharging is recommended as battery performance may deteriorate if stored for a long period of time without being used for more than 6 months.


10. Battery Service Life

Provided battery can be charged and discharged about 300 times at room temperature. Lithium-ion battery is expendables, thus if the operating time is shortened after full charge, we recommend exchanging new battery.

D. Turn on light & Intensity change



1. Assemble the control unit & battery pack, then press power ON/OFF button to start.
 - ① Check the light comes out from LED lens module.
 - ② Check the battery remaining signal on front of control unit. (It will show with the unit of % for remaining value)
 - ③ If fully-charged battery installed, it will show “FU”. As battery will be exhausted, the remaining value will show “99” ~ “0”. “Beep” alarm sound will come on less than “10”, and we recommend recharging the battery. After “Beep” sound, the power will shut down after 10 minutes.

 **Caution – Please exchange fully charged battery or recharge when hearing “beep” sound and only a few moments light come which means the battery is not charged.**

2. Press the intensity change button to adjust desired brightness.
3. One press will apply to change one step each (STEP 1st, 2nd, 3rd, 4th).
4. The intensity will change by pressing this button of each step (STEP 1st, 2nd, 3rd, 4th), then the current battery remaining percentage will display on LED.

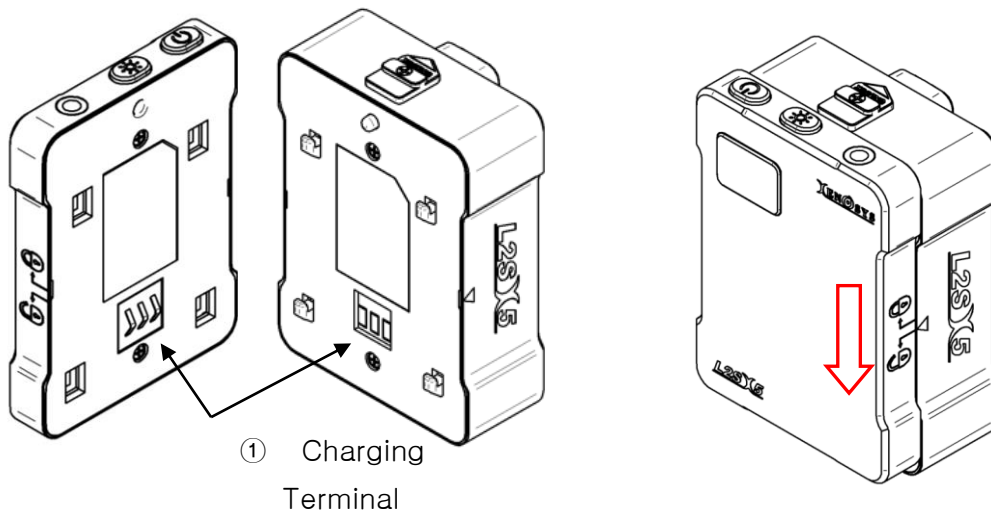
Below table will indicate LED lens module brightness (lx@WD400mm) & operating time.

Illumination(±10%)				
STEP	Brightness(lx) @WD400mm			Operating Time
	LLMX582	LLMX574	LLMX566	
1 st	12,000	14,000	18,000	24h
2 nd	22,000	25,000	33,000	13h
3 rd	30,000	34,000	44,000	10h
4 th	41,000	47,000	61,000	6h30m
Illumination(±10%)				
STEP	Brightness(lx) @WD400mm			Operating Time
	LLMX566D			
1 st	36,000			12h50m
2 nd	64,000			7h30m
3 rd	87,000			5h00m
4 th	110,000			3h10m

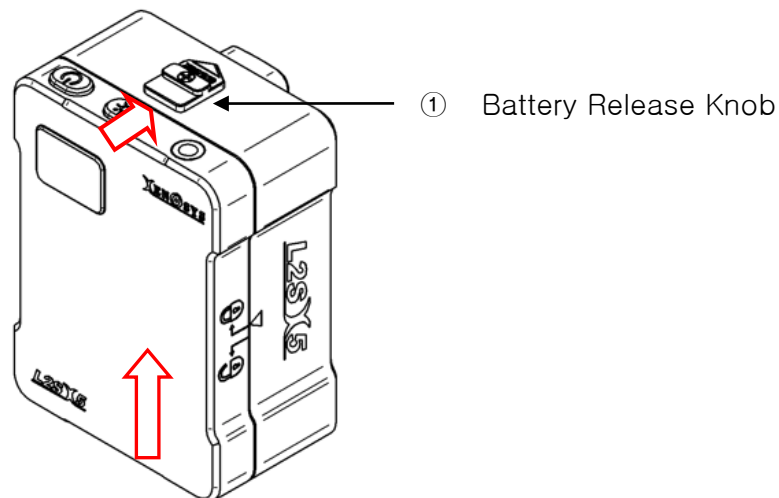
5. Adjust LED lens module up-down or left-right to locate the desired position. External LED lens module's temperature will go up to 54°C (max.) during usage, so be careful.
6. After finishing the usage, press the power ON/OFF button to turn off.

E. How to disassemble the battery pack

1. Align the charging terminals between the control unit and the battery pack then push them to the red arrow direction. (Assemble)



2. While pushing the battery release knob in the direction of the arrow, pull the control unit in the direction of the long arrow (upside) to disassemble it.



F. LED Lens Module attachment examples

① Headband



① Xenosys TTL Loupe



④ Xenosys Flip up loupe



⑤ Normal glasses



⑥ Xenosys Protective goggle



Basic Troubleshooting

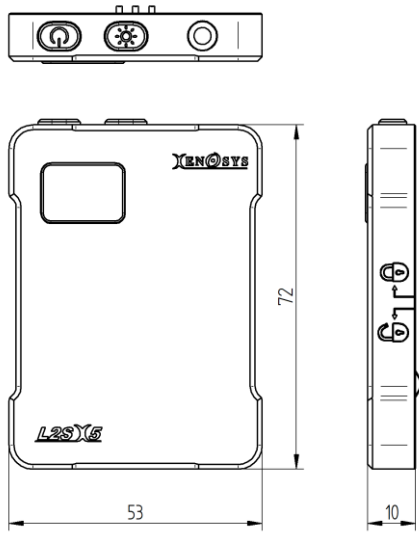
Symptom	Check Point	Troubleshooting
No light comes from LED lens module	Check if the battery pack is properly installed.	Assemble the battery pack properly to charging terminal.
	Check if the battery is discharged.	Recharge the battery.
	Check if the cable connection is properly installed.	Connect properly again.
Light comes on a few moments and turn off	Check the battery remaining quantity	Recharge the battery
After exchange of battery, the light intensity is not enough	Check the intensity is properly adjusted.	Adjust the intensity step.
Discharging time is too fast	Check if the battery is fully charged. (Check the battery remaining LED)	If the battery running time is too short even fully charged, we recommend exchanging with new battery as it is expendables.
Light flickers intermittently	Check the wire connection part – loose contact or not.	Contact the distributor or manufacturer

Specifications

1. Dimension & Weight

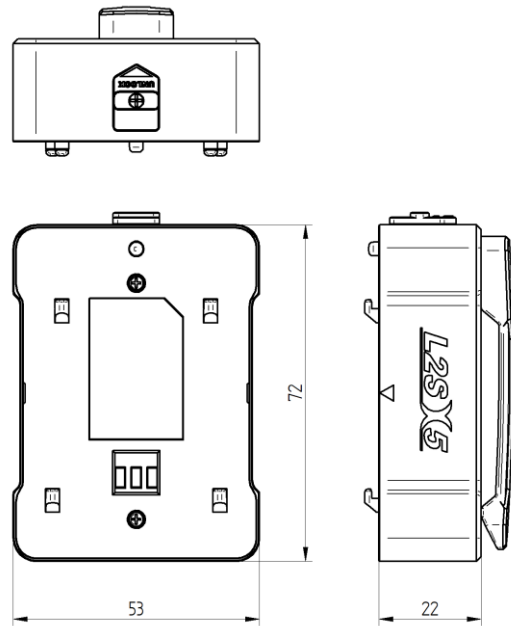
A. LED Control Unit (LCUX5)

- ① Size: Refer to below photo
- ② Weight: 38 g



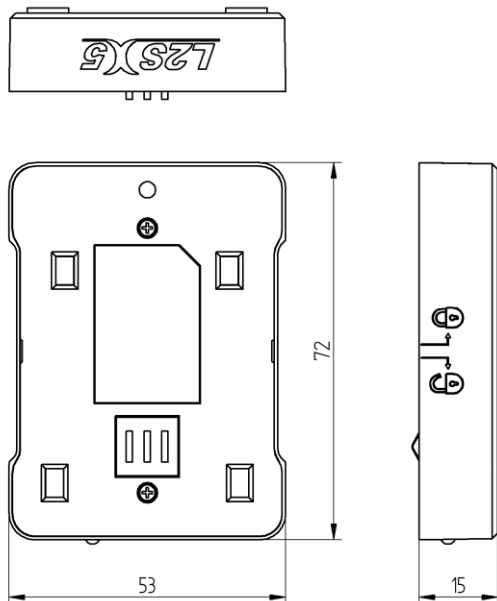
B. Battery Pack (BTPX5)

- ① Size: Refer to below photo
- ② Weight: 129 g



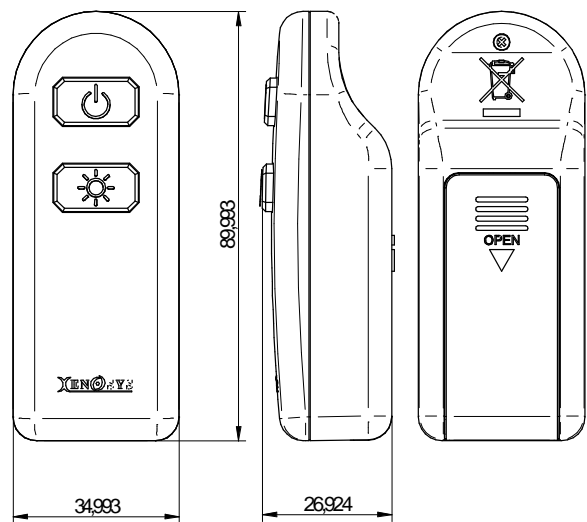
C. Charger (LCHX5)

- ① Size: Refer to below photo
- ② Weight: 30 g



D. Remoted Controller (RCX5)

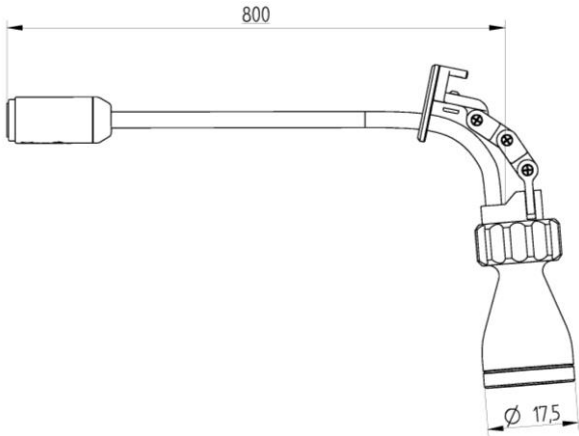
- ① Size: Refer to below photo
- ② Weight: 56 g (With AAA batteries)



E. LED Lens Module

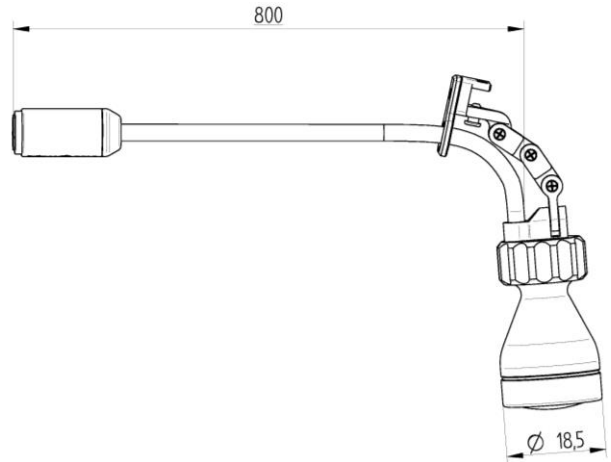
1) LLMX582

- ① Size: Refer to below photo
- ② Weight: 40 g



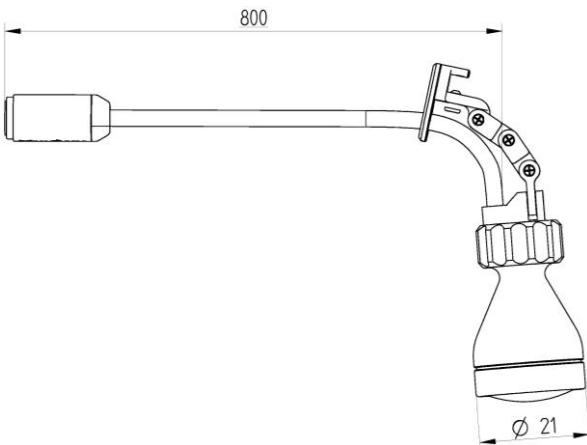
2) LLMX574

- ① Size: Refer to below photo
- ② Weight: 39 g



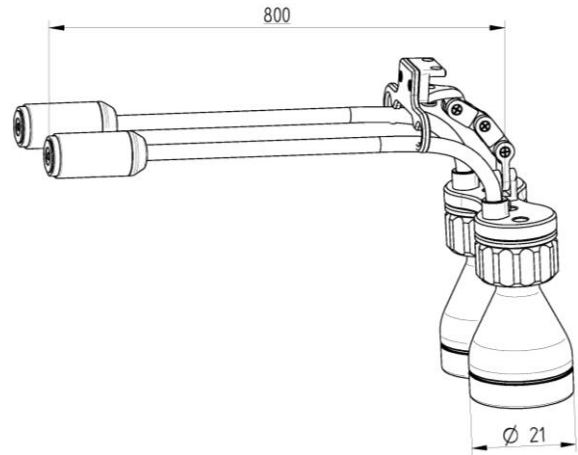
3) LLMX566

- ① Size: Refer to below photo
- ② Weight: 41 g



4) LLMX566D

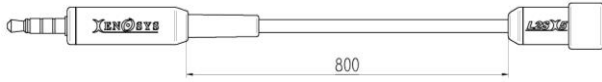
- ① Size: Refer to below photo
- ② Weight: 74 g



F. EXCA Cable Assembly

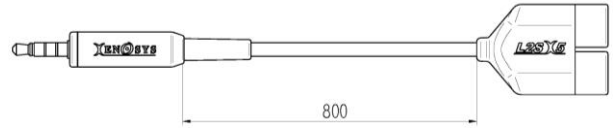
1) EXCA X5 Cable Assembly
(EXCAX5: LLMX582,74,66 share)

- ① Size: Refer to below photo
- ② Weight: 17 g



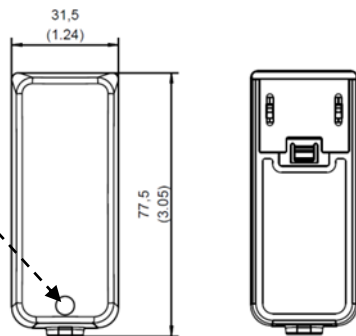
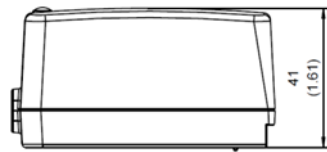
2) EXCA-D X5 Cable Assembly
(EXCA-DX5: LLMX566D solely)

- ① Size: Refer to below photo
- ② Weight: 27.5 g



F. Medical Power Supply (FW8000MUSB/05)

- ① Size: 31(L)x41(W)x77(H) [mm]
- ② Weight: 81 g



Green LED: Used to indicate that power is being supplied and has nothing to do with charging


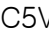


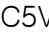

G. USB Power Cable (USBCL)

- ① Size: 1.8 m
- ② Weight: 74 g



2. Specification Details



Electrical Specification

Power Consumption		▪ DC3.6V  1950mA	
Operating Time [±10%]	Type	LLMX582, LLMX574, LLMX566	LLMX566D
	1 st step	24h	12h50m
	2 nd step	13h	7h30m
	3 rd step	10h	5h
	4 th step	6h30m	3h10m
Power of Charger		<ul style="list-style-type: none"> ▪ Input: DC5V  2.2A ▪ Output: DC4.2V  2.0A 	
Power of Medical power supply		<ul style="list-style-type: none"> ▪ Input: AC100–240V, 50–60Hz, 0.3A ▪ Output: DC5V  2.2A 	
Light Source		▪ High Power LED (White Color)	
Power of Charger		<ul style="list-style-type: none"> ▪ Input: DC5V  2.2A ▪ Output: DC4.2V  2.0A 	

LED Illumination

Brightness(lx) [±10%] @ WD400mm	Type	LLMX582	LLMX574	LLMX566	LLMX566D
	1 st step	12,000	14,000	18,000	36,000
	2 nd step	22,000	25,000	33,000	64,000
	3 rd step	30,000	34,000	44,000	87,000
	4 th step	41,000	47,000	61,000	110,000
Field of View (mm) @WD400mm		Ø82	Ø74	Ø66	Ø66
LLMX5 Weight (Only Lens Modul–without cable) (g)		40(13)	39(12)	41(14)	74(30)
Color Temperature, Wavelength Range		▪ 6000 K, 400 – 700 nm (Visible Ray)			
Uniformity		▪ More than 80% @ WD400mm			
LED Life Span (Guaranteed Time)		▪ 50,000 hours			

Replacement Component

Battery Pack	▪ DC3.6V  6700mA Li-ion
Power Supply for Medical usage	<ul style="list-style-type: none"> ▪ Input: AC100–240V, 50–60Hz, 0.3A ▪ Output: DC5V  2.2A

Package External Figures & Weight

External Figures	▪ W275 x H250 x D110 (mm)
Total Weight	▪ 1.80 kg

Electromagnetic Compatibility

Electromagnetic Compatibility

It is designed to protect the medical equipment from the harmful interruption. This system occur electromagnetic interruption within the acceptable range. And, if it is not installed nor used properly to the direction, it may generate radio wave energy to cause any harmful interruption to some other equipment around. It cannot guarantee that the interruption will not give any influence to specific equipment. When the device is powered on, you can find out if it generates electromagnetic interruption or not.

Recommend to choose one and more ways to solve the trouble in the following ways.

1. Relocate the equipment receiving the interruptive wavelength.
2. Put each equipment in longer distance.
3. Connect the equipment to the different outlets from the ones connected to other equipment.
4. If you need expert's help, contact to manufacturer or professional distributor.

Transportation

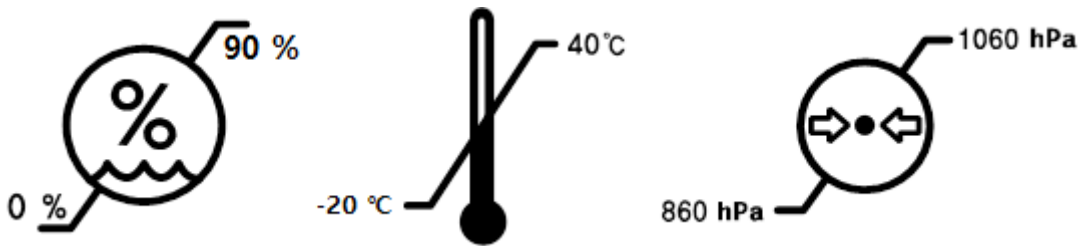
1. To protect L2SX5 from any damage in transportation, pack it by plastic bubble wrap or shipping box.
2. Load L2SX5 boxes up and down evenly by handcart and any vehicle trunk to transport.
3. When you carry L2SX5 by hand, hold it with two hands firmly and disconnect charger, and power cord from the main-body for safe transportation

Storage

1. Maintain the following conditions for storing main products & components.

Environment for Operating & Storage	
Ambient Temperature	10°C ~ 40°C
Relative Humidity	30 %R.H. ~ 85 % R.H.
Pressure	860 hPa ~ 1060 hPa
Environment for Transportation & Storage (Non-operating)	
Ambient Temperature	-20°C ~ 40°C
Relative Humidity	0 % R.H. ~ 90 % R.H.
Pressure	860 hPa ~ 1060 hPa

- External box label will be as follows.



2. Do not pull out, twist, nor bend excessively the power cord.
3. Wind up the power cord loosely, and store it by using the rubber bandage or cable tie.
4. Do not expose the main body to excessive shock, direct ray of light and high temperature which may cause the defective reason.
5. Caution for battery storage: As Li-ion battery is small-sized with high power, if it is stored fully charged condition for a long time, the battery lifespan can be reduced.
 - ① Store it under half-charged condition in case of non-use immediately.
 - ② Store the battery with separated from the main body in case of long-time no use.
 - ③ Recommend to keep it in the dry condition with ambient temperature range of +15°C ~ +25°C. Keep away from too hot or extremely cold places.

⚠ Precautions– Periodic charging and discharging is recommended as battery performance may deteriorate if stored for a long period of time without being used for more than 6 months.

Cleaning Instruction

1. Clean up LED lens module surface by soft cloth with neutral detergent regularly to remove dirt, and leave it dry for usage.
2. Do not use volatile chemicals like benzene, alcohol, thinner, and acetone for cleaning. If there is any contact of these chemicals to the surface, clean it by soft cloth dipped with neutral detergent. However, the manufacturer is not responsible for any defect caused by these chemicals.
3. Do not expose the equipment to the sterilizing or cleaning process with excessive temperature and humidity. In case of the exposure, it will cause the damage to the equipment and out of warranty. Especially, inside parts of the main body do not allow the contact of any liquid.

Services & Warranty

1. This service & warranty statement applies to all countries to the extent that there is no special warranty rule.
2. All services & warranty should be provided by Xenosys Co., Ltd. or authorized personnel by Xenosys Co., Ltd.
3. Warranty becomes effective from the sales date for material, production defective, or defect under the normal use. Thus, the warranty period starts from the first purchaser's sales date. Warranty will not be applied for abuse, improper use, negligence, improper installation, and operation or any remodeling, adjustment and modification by unauthorized personnel or technician. Refer to the warranty period in line #12.
4. Exchanged or any broken part after repair become to the property of Xenosys Co., Ltd.
5. There is no extended or renewed warranty period after the repair or replacement is done.
6. No warranty will be applied in case of the modification or personalized part by customer's request.
7. No warranty will be applied in case of no serial number or hard to detect the proper one.
8. Changes in this limited warranty require the previous approval from Xenosys Co., Ltd.

9. If there is any defect happens which cannot be handled by troubleshooting in this manual, return it to the manufacturer. Then Xenosys will take care of it. If the qualified engineer determines that the defect comes from the abuse or improper use, warranty will not be applied. The repair cost shall be notified prior to the service & repair work starts.
10. Before sending the equipment need for repair, contact the manufacturer or distributor. Then the manufacturer or distributor will report details with create own RMA No. and related reference which will make easier to track.
11. There are no user serviceable parts in this product. Please send the product to the distributor (dealer) for servicing. Technical description or manual is available upon request.
12. Warranty period of L2SX5
 - 1) X5 (except battery pack): 1 year
 - 2) Battery pack: 6 months

EC REP EU Representative (EU Representant)

1. Company: Cormedics Medizintechnik GmbH
2. Address: Bahnhofstr. 32, 82041 Deisenhofen, Germany
3. Tel (Fon): +49 (0)89 666 58 79 15
4. Fax: +49 (0)89 54 999 030
5. E-mail: a.huettl@cormedics.com
6. Web: <http://www.cormedics.com>

※ Revision List

Version No.	Distribution Date	Revision
Version 1.1	June, 2023	First release



Xenosys Co., Ltd.

2, Venture-ro, 100 beon-gil, Yeonsu-gu, Incheon 22013, Korea

TEL. 032-875-9811~2 FAX. 032-875-9813

www.xenosys.co.kr / sales@xenosys.co.kr